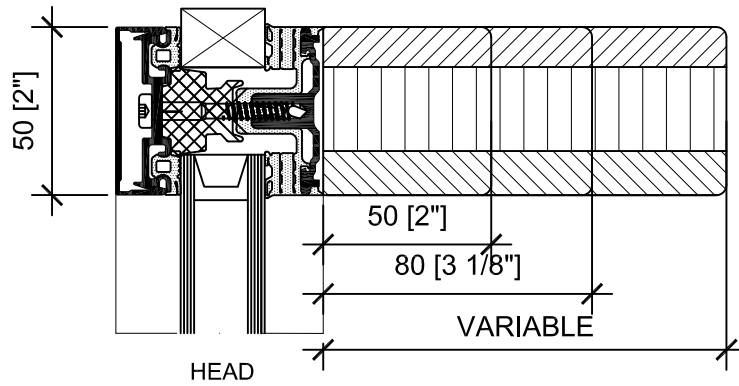
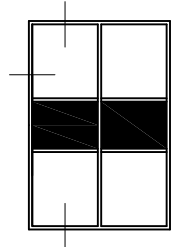


# M50

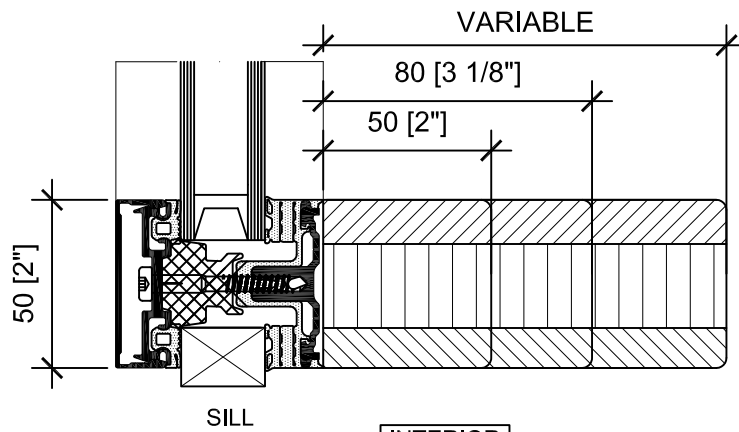
CURTAIN WALL  
HEAD, SILL & JAMB

M50-004  
STANDARD DETAILS  
SCALE: 1:2

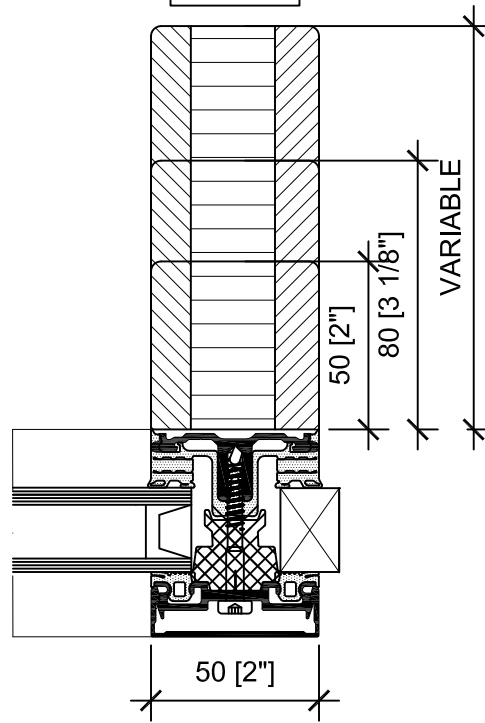


EXTERIOR

INTERIOR



INTERIOR



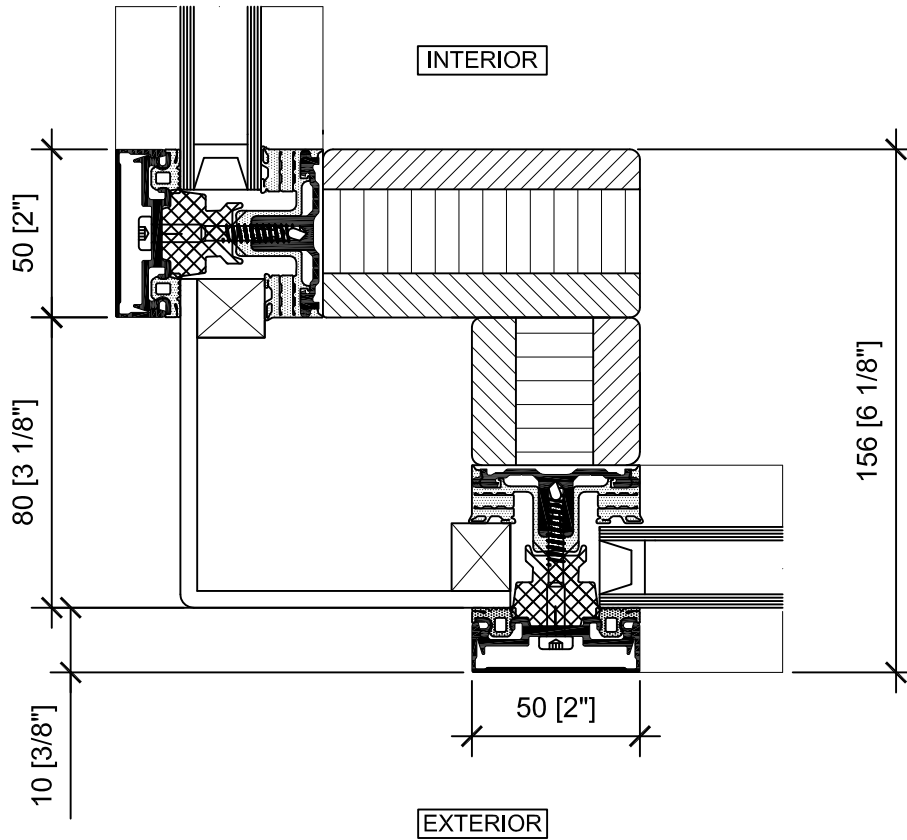
JAMB  
EXTERIOR

# M50

CURTAIN WALL  
CORNER SECTION ALUMINUM INSERT

M50-005  
STANDARD DETAILS

SCALE: 1:2

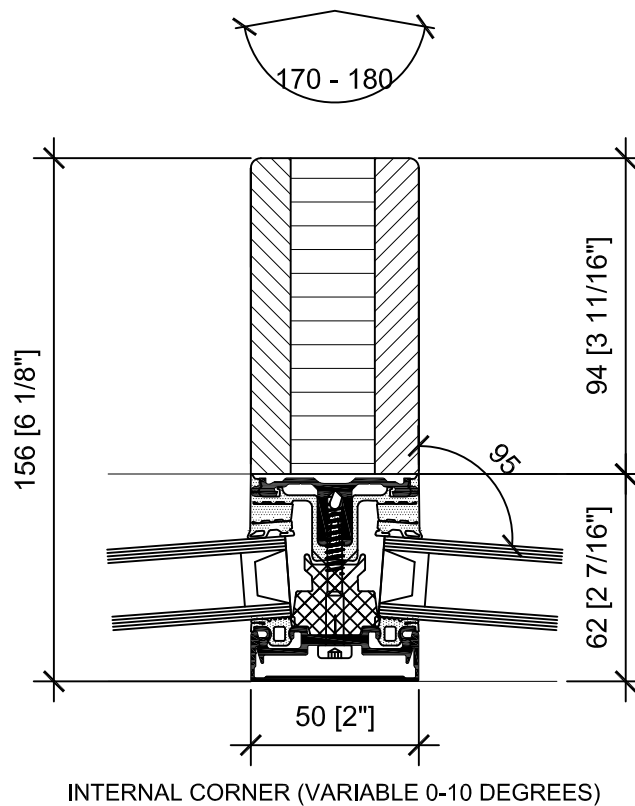
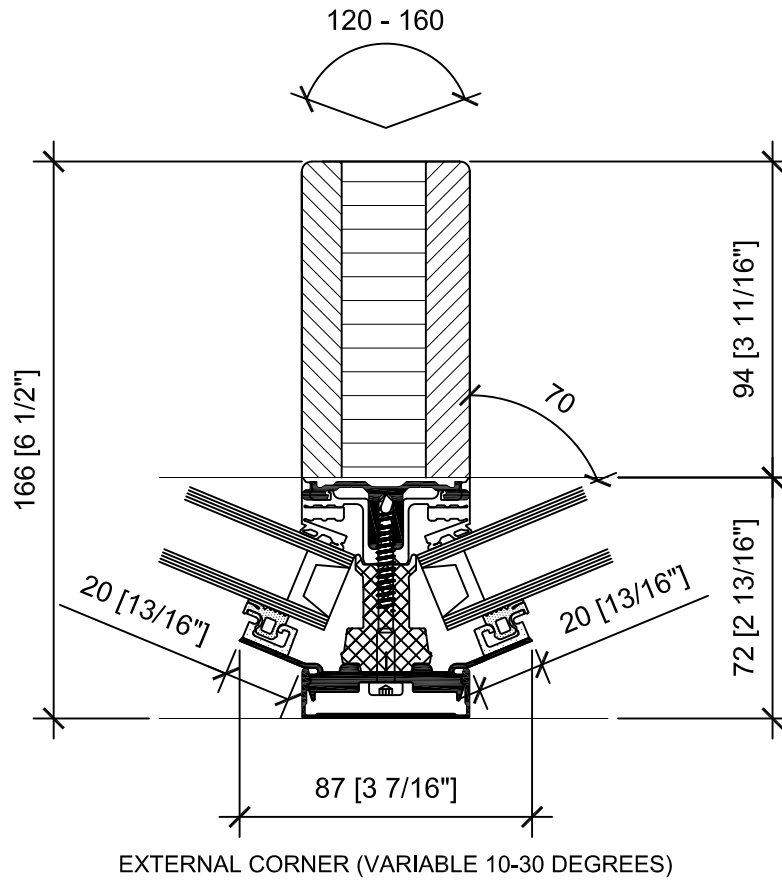


# M50

## CURTAIN WALL VERTICAL ANGLED MULLIONS

M50-006  
STANDARD DETAILS

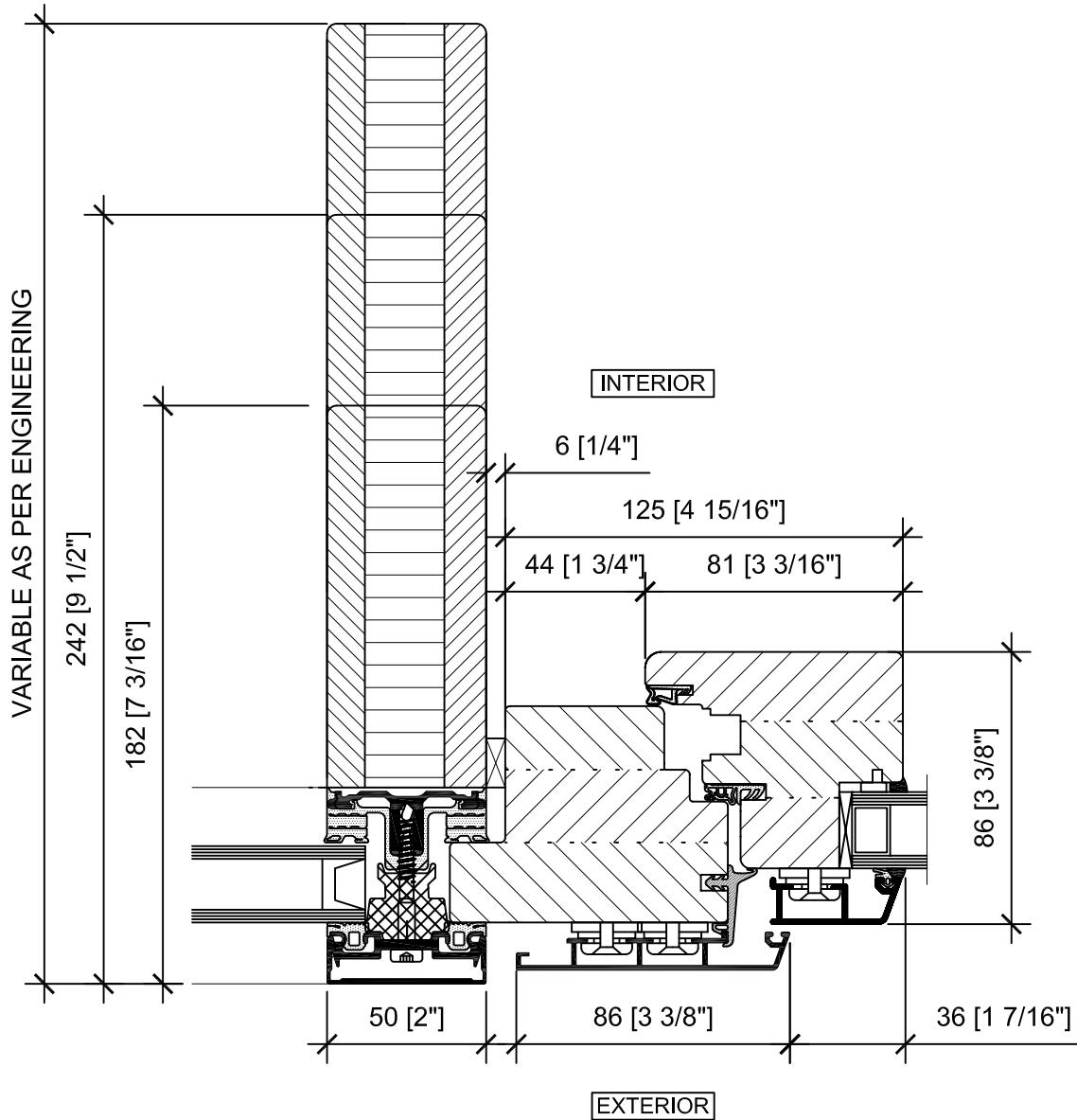
SCALE: 1:2



# M50

**CURTAIN WALL**  
 VERTICAL MULLION WITH M80  
 TILT & TURN WINDOW

M50-007  
 STANDARD DETAILS  
 SCALE: 1:2



# M50

**CURTAIN WALL**  
**VERTICAL MULLION WITH M68**  
**TILT & TURN WINDOW**

M50-008  
**STANDARD DETAILS**

SCALE: 1:2

